

DIGITAL GLYCOL FEEDER

Pulsafeeder's Digital Glycol Feeder provides a consistent operating pressure in closed loop systems. This allows a controlled percentage of glycol solution to be fed from the 50 gallon tank. The Digital Glycol Feeder is available in two models; the DGF1 for single loop and the DGF2 for dual loop systems.

The control unit utilizes an 8-bit microcontroller for precise feed system control. The NEMA4X enclosure can be wired conduit or prewire for easy startup. The preplumbed assembly includes a pressure gauge, pressure switch, and pressure relief valve to prevent excessive pressure build up. A low liquid level switch with optional audible alarm prevents the gear pump from operating when the solution is low.



FEATURES

CONTROLLER FEATURES

- Touch Keypad User Interface for Gear Pump Operation
- LED Indicators Loss of Pressure and Low Level
- HOA Control Of Pumps and Alarm To Force Relay OFF Indefinitely Or Force Relay ON For A Period Of 5 Minutes
- Alarm Silence Feature
- Dual Alarm Relay Outputs Are Factory Configured For Dry Contact Or Powered
- Available In 115V Or 230V

PUMP FEATURES

- Heavy Duty Gear Pump
- Bronze And Stainless Steel Wetted Components
- Close Tolerance Design Allows For Consistent Performance
- Helical Gears For Quiet Operation

SYSTEM FEATURES

- Economical Design For Competitive Bid Specifications

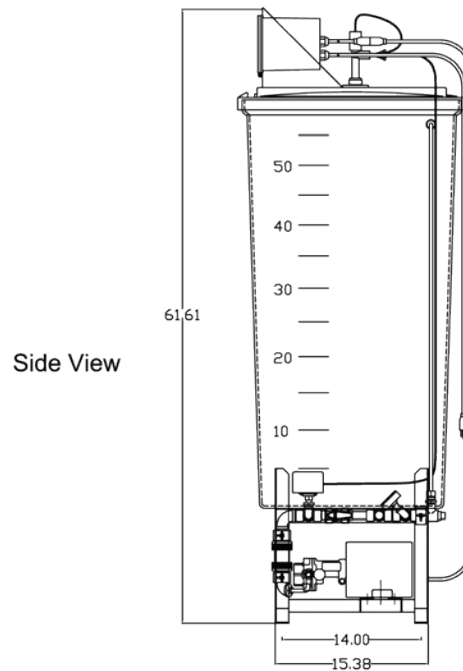
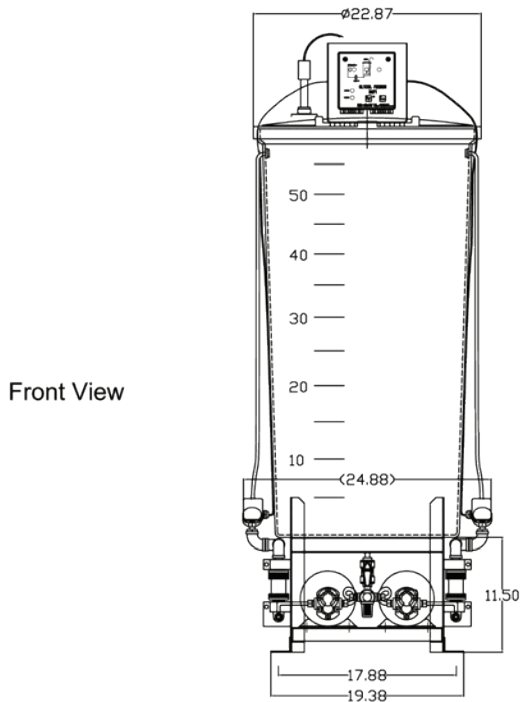
MODEL SELECTION

Model Number	Closed Loop	Conduit / Prewire	Audible Alarm	Alarm Output	Pressure Switch	Pump
DGF1BAAACXB	Single Loop	Prewire	Without	Dry Contact	Standard	1.50 GPM
DGF1BAAAEXB	Single Loop	Prewire	Without	Dry Contact	Standard	3.75 GPM
DGF1BAXACXB	Single Loop	Prewire	Without	None	Standard	1.50 GPM
DGF1BAXBCXB	Single Loop	Prewire	Without	None	Low	1.50 GPM
DGF1BBAACXB	Single Loop	Prewire	With	Dry Contact	Standard	1.50 GPM
DGF1BBABCAB	Single Loop	Prewire	With	Dry Contact	Low	1.50 GPM
DGF1BBABCXB	Single Loop	Prewire	With	Dry Contact	Low	1.50 GPM
DGF1BBABEXB	Single Loop	Prewire	With	Dry Contact	Low	3.75 GPM
DGF1BBCACXB	Single Loop	Prewire	With	AC Output	Standard	1.50 GPM
DGF1BBXACXB	Single Loop	Prewire	With	None	Standard	1.50 GPM

ENGINEERING DATA

Operating Temperature	32°F to 122°F / (0°C to 50°C)
Enclosure	NEMA 4X

DIMENSIONS



27101 Airport Road
Punta Gorda, FL 33982
Tel: (941) 575-3800
Fax: (941) 575-4085
www.pulsatron.com



An ISO Certified Company



DGF001 H21