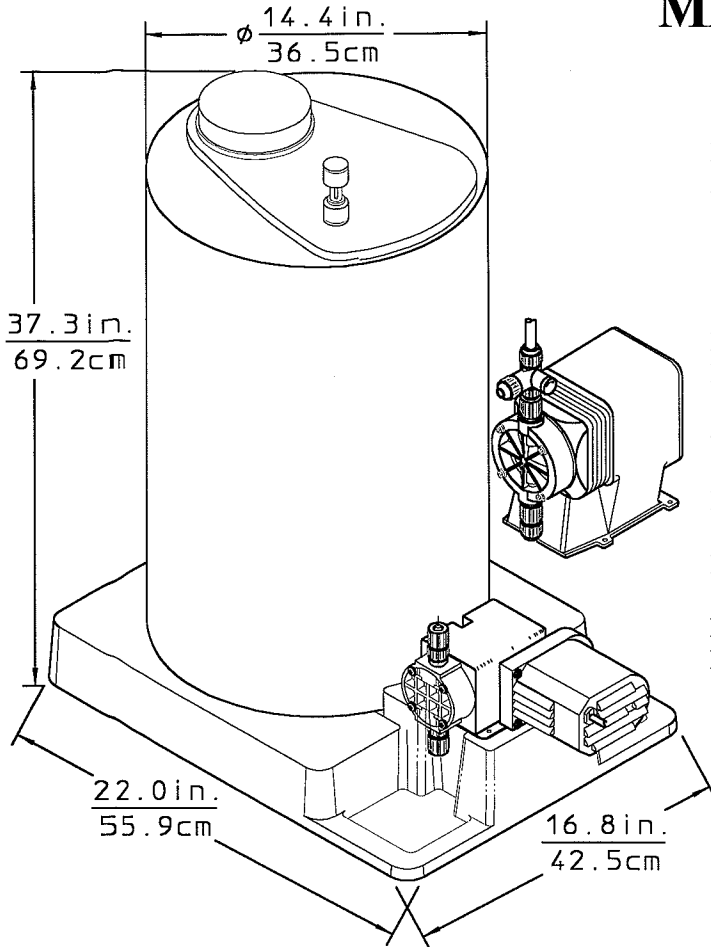


TSF(Tank, Stand & Feed Pump) SYSTEM INSTALLATION, OPERATION AND MAINTENANCE MANUAL



INTRODUCTION:

THE TSF SYSTEM IS DESIGNED PRIMARILY FOR RESIDENTIAL/COMMERCIAL APPLICATIONS REQUIRING SMALL AMOUNTS OF CHEMICAL TO BE FED INTO A WATER SUPPLY. THE CHEMICAL TANK INCLUDES A TIGHT FITTING LID TO KEEP THE CHEMICAL FREE OF CONTAMINATES AND TO PROTECT THE SURROUNDING AREA FROM CHEMICAL FUMES. THE SYSTEM IS CONSTRUCTED OF THE FINEST QUALITY MATERIALS. WITH REASONABLE CARE AND MAINTENANCE, IT WILL PROVIDE EXCELLENT SERVICE.

THE INFORMATION IN THIS MANUAL WILL HELP YOU OBTAIN THE MOST SATISFACTORY SERVICE FROM THE TSF SYSTEM. WE SUGGEST YOU READ IT CAREFULLY BEFORE INSTALLING AND OPERATING.

INSPECTION:

CHECK THE TSF SYSTEM FOR SHIPPING DAMAGE OR MISSING PARTS. THE TRANSPORTATION COMPANY SHOULD BE NOTIFIED IF MISHANDLED AND DAMAGED

THE SYSTEM CONSISTS OF:

1. A BASE.
2. A CHEMICAL TANK WITH LID AND BULKHEAD FITTINGS.
3. A CHEMICAL FEED PUMP(A SEPARATELY ORDERED PACKAGED) INCLUDING ACCESSORIES(A FOOT VALVE STRAINER; TUBING; AND A INJECTION POINT FITTING) AND A MAINTENANCE MANUAL ARE PACKED WITH THE PUMP.
4. A LIQUID LEVEL INDICATOR FLOAT ASSEMBLY.
5. A PACKAGE OF FEEDER MOUNTING HARDWARE.

SPECIFICATIONS:

THE CHEMICAL TANK CAPACITY IS 15-GALLONS(56.7-LITERS). PLEASE REFER TO MANUAL INCLUDED WITH CHEMICAL FEEDER FOR OTHER PUMPING SPECIFICATIONS.

BEFORE INSTALLATION:

READ MANUAL SUPPLIED WITH PUMP TO INSURE PROPER LOCATION OF FEED SYSTEM. ALSO READ MANUAL CAREFULLY FOR PUMP INSTALLATION, OPERATION, AND MAINTENANCE REQUIREMENTS.

ASSEMBLY OF TSF SYSTEM

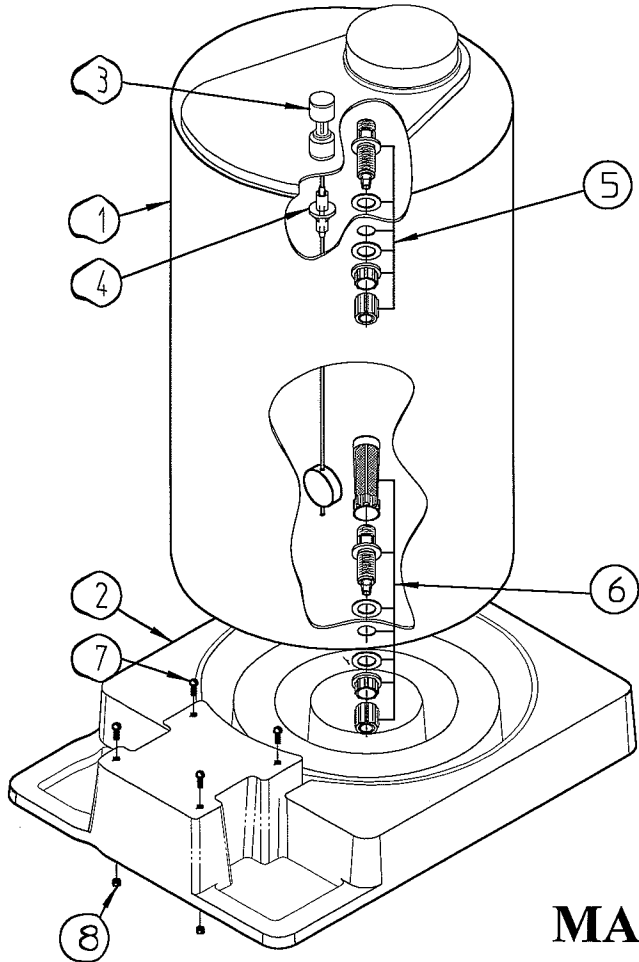
LOW LEVEL INDICATOR:

REMOVE TANK CAP BY PRESSING DOT ON CAP AND ROTATING COUNTER-CLOCKWISE. LOCATE PARTS INSIDE OF TANK AND LITERATURE/PARTS KIT PACKAGED WITH UNIT. INSERT BULKHEAD FITTING OF THE LOW LEVEL FLOAT AND INDICATOR ASSEMBLY THROUGH THE PRE-DRILLED HOLE AT THE TOP OF THE TANK. HOLDING IN PLACE, SECURE BY SCREWING IN THE WINDOWED LOW LEVEL PIPE CONNECTOR UNTIL IT BOTTOMS OUT AGAINST THE TOP. THE WINDOW SHOULD BE POSITIONED TO PERMIT GREATEST VISIBILITY OF RED LOW LIQUID LEVEL INDICATOR.

PUMP MOUNTING:

PLACE FEEDER ONTO BASE AND SECURE WITH FOUR NYLON SCREWS AND NUTS(IT.#7&8). PLACE CHEMICAL TANK INTO INDENTATION IN BASE. PLACE THE TSF IN THE INSTALLATION LOCATION YOU HAVE SELECTED. CUT A LENGTH OF SUCTION TUBING LONG ENOUGH(BUT AS SHORT AS POSSIBLE WITHOUT KINKING) TO REACH FROM THE FEED PUMP "SUCTION" FITTING TO THE BOTTOM BULKHEAD FITTING. ATTACH TUBING TO PUMP AND TANK FITTINGS AND TIGHTEN COMPRESSION NUTS SECURELY. **NOTE:** DO NOT FILL TANK UNTIL PUMP OUTLET CONNECTORS ARE PROPERLY MADE AS RECOMMENDED BY PUMP MANUFACTURER.

FILLING YOUR CHEMICAL TANK



! DANGER: DO NOT ATTEMPT TO FEED CHEMICALS WITHOUT CONSULTING YOUR CHEMICAL FEEDER DEALER OR CHEMICAL SUPPLIER. REFER TO PUMP MANUAL FOR ADDITIONAL CHEMICAL HANDLING PRECAUTIONS.

CHECK THE CHEMICAL LEVEL IN THE RESERVOIR FREQUENTLY AND REFILL AS NECESSARY.

WHEN THE RED LOW LEVEL INDICATOR APPEARS, THE CHEMICAL TANK IS READY TO BE REFILLED. APPROXIMATELY 10-GALLONS OF CHEMICAL SOLUTION MAY BE ADDED.

REMOVE TANK CAP BY PRESSING DOT ON CAP AND ROTATING COUNTER-CLOCKWISE.

DO NOT ALLOW THE LEVEL TO DROP TOO LOW BEFORE REFILLING. AT LEAST 4"(10.2cm) OF CHEMICAL SHOULD ALWAYS REMAIN IN THE TANK.
! IMPORTANT: BE SURE THE TANK LID IS ON TIGHT AFTER FILLING TANK. TURN CAP CLOCKWISE UNTIL DETENT LOCKS INTO POSITION AND CAP IS TIGHT.

MAINTENANCE

CHECK TANK AND FITTINGS FREQUENTLY FOR DETERIORATION AND/OR LEAKAGE.

ASS'Y	J40442	J40443	J40444	J40445	DESCRIPTION
ITEM	AS'Y S100 .50 in.	AS'Y S100 .38 in.	AS'Y PULSA #1 .50 in.	AS'Y PULSA #1 .38 in.	
1	40375	40375	40375	40375	15-GAL. TANK w/ COVER
2	J39372	J39372	J39370	J39370	TANK and PUMP BASE
3	U0818399	U0818399	U0818399	U0818399	LOW LEVEL INDICATOR
4	U0818405	U0818405	U0818405	U0818405	FLOAT ASSEMBLY
5	J26885	J26885	J26885	J26885	BULKHEAD FITTING
6	26859	26860	26859	26860	BULKHEAD FITTING w/ STRAINER
7	U0811703	U0811703	U0811703	U0811703	SCREW(NYLON)
8	U0811704	U0811704	U0811704	U0811704	NUT(NYLON)

MANUFACTURER'S PRODUCT WARRANTY

The manufacturer warrants its equipment of its manufacture to be free of defects in material or workmanship. Liability under this policy extends to eighteen(18) months from the date of purchase or one(1) year from date of installation or whichever comes first. The manufacturer's liability is limited to repair or replacement of any device or part, which is returned, prepaid, to the factory and which is proven defective upon examination. This warranty does not include installation or repair costs and in no event shall the manufacturer's liability exceed the selling price of such part.

The manufacturer disclaims all liability for damage to its products through improper installation, maintenance, use or attempts to operate such products beyond their functional capacity, intentionally or otherwise, or any unauthorized repair. Replaceable elastomeric parts are expendable and are not covered by any warranty either expressed or implied. The manufacturer is not responsible for consequential or other damages, injuries or expense incurred through use of its products.

The above warranty is in lieu of any other warranty, either expressed or implied. The manufacturer makes no warranty of fitness or merchantability. No agent of ours is authorized to make any warranty other than the above