

BLACKLINE PRO

The Blackline Pro is based on Pulsafeeder's proven mechanical diaphragm pump technology with the addition of a variable speed drive controller. The unit comes with ten different operating modes, fully configurable, allowing you to fit the pump in any advanced pumping process where the unit needs to be controlled remotely and automatically.

The Blackline Pro comes in a variety of flows and pressures as well as wet-end materials allowing you to find the best pumping solution for any application.

A full aluminum gearbox and control unit housing with corrosion resistant EPD coating resulting in one of the most rugged and purposeful metering pumps on the market.

Form follows function: the angled back-lit display and single jog dial element, make this an extremely versatile and simple to use metering pump. The Blackline Pro is also available backward compatible meaning you can order as a kit and retro fit to an existing Blackline pump in the field.



FEATURES

- 10 operating modes to fit any application - Constant, Batch, Pause-Work, Proximity, Analog mA, Analog Volt, PPM, Pause-Percent, MLQ, Pulse
- Intuitive color coded display messages - Running, Warning and Alarm
- Variable gearbox orientation from 0 - 90°
- Backwards compatible possible installation on existing Blackline pump
- Aluminum casing with IP65/NEMA4X enclosure protection
- Ergonomical display clear and easy to read
- User friendly JDS - Jog-dial selector

APPLICATIONS

- Water & Wastewater
- Pulp & Paper
- Automotive
- Chemical Process
- Metal Process
- Power Generation

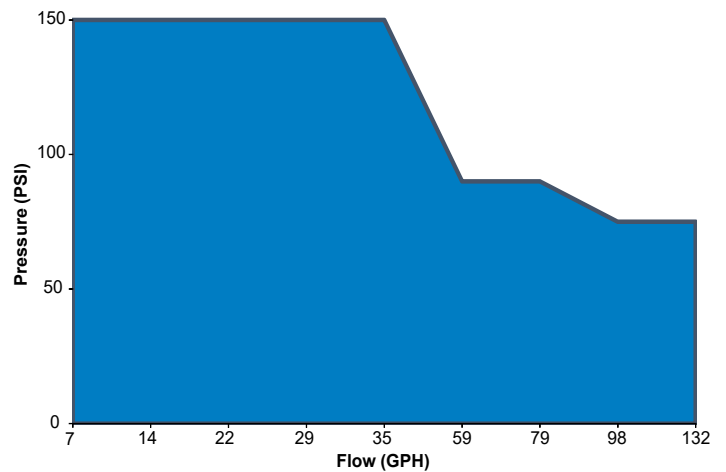
PUMP HEAD MATERIALS

Pump Head	PP	PVDF	PVDF	316SS
Diaphragm	PTFE	PTFE	PTFE	PTFE
Valve Guide	PP	PP	PVDF	PP
Valve Seat	PVC	INCOLOY-825	PTFE	316SS
Valve Ball	PYREX	HASTELLOY C-276	PYREX	316SS
Valve Housing	PP	PP	PVDF	316SS
Valve Seal	FPM	FPM	PTFE	FPM
Flange	PVC	PVC	PVC	316SS

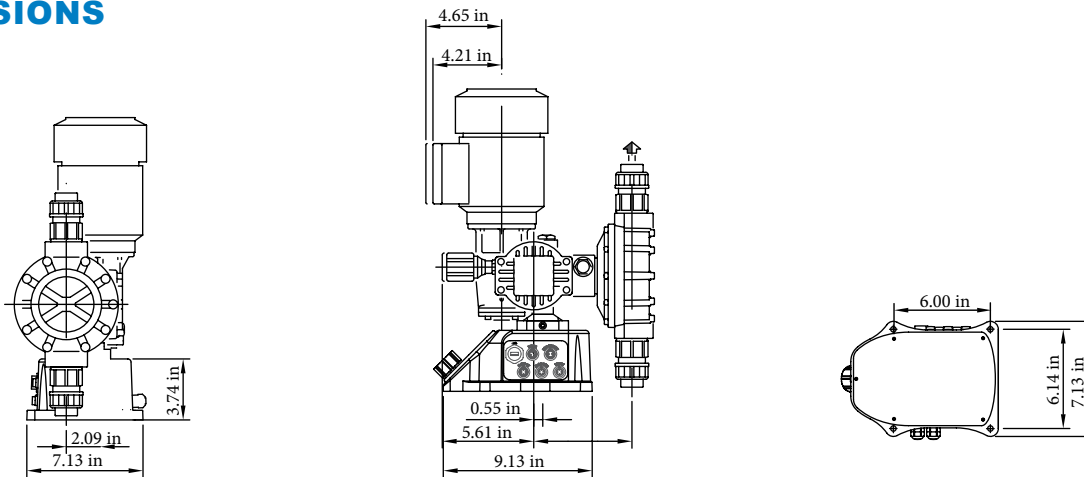
ENGINEERING DATA

Max. Flow Rate	132 gph / 501 lph
Max Pressure	150 psi / 10 bar
Max. Stroke Frequency	138 strokes/min
Liquid Temperature	14°F to 113°F / -10°C to 40°C
Max. Weight	62 lbs / 28 kg
Precision	±1%
Linearity	±5%
Accuracy of Repeatability	±3%
Max. Suction Lift	2 m
Turndown Ratio	500:1
Sound Pressure @ 3.3 ft / 1 m	<65 dbA
Materials (Actuator, Casing, Motor)	Aluminum
Finishing (Actuator, Casing)	Electrophoretic deposition (EPD)
Max Power Consumption	750W
Power Supply	110-240 V AC
Frequency	50/60 Hz
Operating Temperature	14°F to 113°F / -10°C to 40°C
Max Inrush Current	2.3A (110V) - 5A (230V)
Enclosure Class (Actuator Only)	IP65 / NEMA 4X
Recommended Fuse	6.3 x 32mm 8A
USB Type	USB 2.0 HOST
Serial Communications	MODBUS - Half duplex RS-485

Input	4-20 mA	Input Voltage / Control Input	14 V DC
		Impedance	120 Ω
	Pulse	Max Load	28 V DC
		Max Resistance in Pulse Circuit	15 KΩ
		Min Pulse Length	10 ms
	Remote	Max Load START/STOP Digital Input	28 V DC
Max Load STOP Digital Input		28 V DC	
Output	Level	Max Load START Digital Input	28 V DC
	4-20 mA	Input Voltage /Control Input	14 V DC
		Relays	Max Load



DIMENSIONS



27101 Airport Road
Punta Gorda, FL 33982
Tel: (941) 575-3800
Fax: (941) 575-4085
www.pulsatron.com



An ISO Certified Company



BLP001 B19